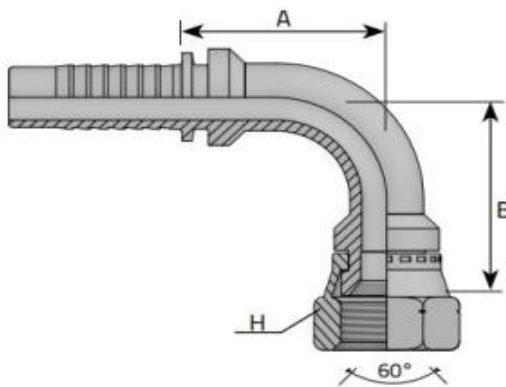


**Armătură KOMATSU - KOM**

con 60 grade  
filet metric

Cod	Inch	Diametru interior furtun	Filet	hex H	hex H1	A	Preț EUR
KOM 14*1.5/06	1/4"	DN 06	14 x 1.5	17	19	24.2	5.45
KOM 16*1.5/06	1/4"	DN 06	16 x 1.5	19	22	24.2	4.38
KOM 14*1.5/08	5/16"	DN 08	14 x 1.5	-	-	-	3.33
KOM 16*1.5/08	5/16"	DN 08	16 x 1.5	19	22	24.2	5.30
KOM 14*1.5/10	3/8"	DN 10	14 x 1.5	17	19	24.2	6.20
KOM 16*1.5/10	3/8"	DN 10	16 x 1.5	19	22	24.2	5.78
KOM 18*1.5/10	3/8"	DN 10	18 x 1.5	24	24	25.8	5.30
KOM 22*1.5/10	3/8"	DN 10	22 x 1.5	-	-	-	6.25
KOM 22*1.5/12	1/2"	DN 12	22 x 1.5	27	27	29	7.48
KOM 24*1.5/12	1/2"	DN 12	24 x 1.5	32	32	32	9.38
KOM 24*1.5/16	5/8"	DN 16	24 x 1.5	32	32	32.5	14.08
KOM 30*1.5/20	3/4"	DN 20	30 x 1.5	36	36	32.5	20.03
KOM 33*1.5/25	1"	DN 25	33 x 1.5	41	41	34.6	39.20



**Armătură KOMATSU - KOM90**

con 60 grade  
filet metric

Cod	Inch	Diametru interior furtun	Filet	hex H	B	A	Preț EUR
KOM90 14*1.5/06	1/4"	DN 06	14 x 1.5	19	27	23	8.90
KOM90 16*1.5/06	1/4"	DN 06	16 x 1.5	22	27	23	6.60
KOM90 16*1.5/08	5/16"	DN 08	16 x 1.5	22	32	31.5	9.75
KOM90 14*1.5/10	3/8"	DN 10	14 x 1.5	19	35	33	12.58
KOM90 16*1.5/10	3/8"	DN 10	16 x 1.5	22	35	33	12.43
KOM90 18*1.5/10	3/8"	DN 10	18 x 1.5	24	36.5	33	13.88
KOM90 22*1.5/10	3/8"	DN 10	22 x 1.5	-	-	-	10.58
KOM90 22*1.5/12	1/2"	DN 12	22 x 1.5	27	43.5	39	18.65
KOM90 24*1.5/12	1/2"	DN 12	24 x 1.5	32	50	39	21.30
KOM90 24*1.5/16	5/8"	DN 16	24 x 1.5	32	55	49	30.83