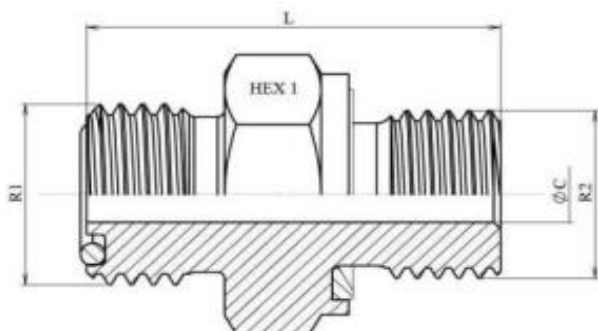


Fiting ORS/BSP - FORBZ

BSP etanșare plană



Cod	R1 (filet exterior)	R2 (filet exterior)	L	HEX1	Preț EUR
FORBZ 9/16-1/8	9/16"	1/8"	26	17	2.69
FORBZ 9/16-1/4	9/16"	1/4"	31	19	2.53
FORBZ 11/16-1/4	11/16"	1/4"	32.5	19	2.82
FORBZ 11/16-3/8	11/16"	3/8"	34.5	22	3.07
FORBZ 13/16-3/8	13/16"	3/8"	36.5	22	4.37
FORBZ 13/16-1/2	13/16"	1/2"	39	27	4.57
FORBZ 1-1/2	1"	1/2"	41	27	4.78
FORBZ 1.3/16-3/4	1.3/16"	3/4"	49	32	6.25
FORBZ 1.7/16-1	1.7/16"	1"	49.5	41	8.84
FORBZ 1.11/16-1.1/4	1.11/16"	1.1/4"	55	50	20.29
FORBZ 2-1.1/2	2"	1.1/2"	60.5	55	45.10



Fiting ORS/BSP - FORB

BSP con 60 grade

Cod	R1 (filet exterior)	R2 (filet exterior)	L	HEX1	Preț EUR
FORB 9/16-1/4	9/16"	1/4"	33	19	3.29
FORB 9/16-3/8	9/16"	3/8"	34	22	3.60
FORB 9/16-1/2	9/16"	1/2"	38.5	27	4.71
FORB 11/16-1/4	11/16"	1/4"	34	19	3.16
FORB 11/16-3/8	11/16"	3/8"	35	22	3.96
FORB 11/16-1/2	11/16"	1/2"	39.5	27	4.71
FORB 13/16-1/4	13/16"	1/4"	36.5	22	4.04
FORB 13/16-3/8	13/16"	3/8"	37	22	3.96
FORB 13/16-3/4	13/16"	3/4"	45	32	7.01
FORB 1-3/8	1"	3/8"	41.5	27	5.06
FORB 1-1/2	1"	1/2"	44	27	5.56
FORB 1-3/4	1"	3/4"	47.5	32	7.01