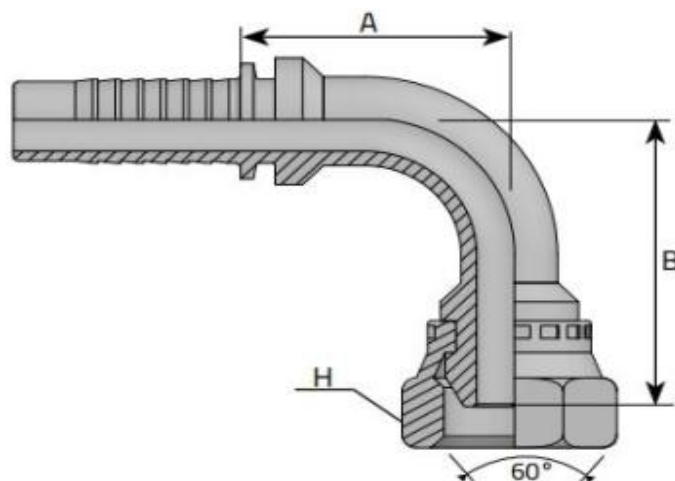


Armătură BSP - DKR90

con 60 de grade



Cod	Inch	Diametru interior furtun	Filet	hex H	B	A	Preț EUR
DKR90 05 1/8	3/16"	DN 05	1/8"	15	29.0	23.0	4.78
DKR90 05 1/4	3/16"	DN 05	1/4"	19	29.0	23.0	5.40
DKR90 06 1/8	1/4"	DN 06	1/8"	15	29.0	23.0	4.93
DKR90 06 1/4	1/4"	DN 06	1/4"	19	29.0	23.0	2.65
DKR90 06 3/8	1/4"	DN 06	3/8"	22	32.0	23.0	3.90
DKR90 08 1/4	5/16"	DN 08	1/4"	19	33.5	31.5	6.25
DKR90 08 3/8	5/16"	DN 08	3/8"	22	35.5	31.5	4.70
DKR90 08 1/2	5/16"	DN 08	1/2"	27	39.0	31.5	8.68
DKR90 10 1/4	3/8"	DN 10	1/4"	19	37.0	33.0	7.25
DKR90 10 3/8	3/8"	DN 10	3/8"	22	38.0	33.0	3.80
DKR90 10 1/2	3/8"	DN 10	1/2"	27	42.0	33.0	5.83
DKR90 12 3/8	1/2"	DN 12	3/8"	22	43.0	39.0	8.63
DKR90 12 1/2	1/2"	DN 12	1/2"	27	45.0	39.0	5.23
DKR90 12 5/8	1/2"	DN 12	5/8"	28	45.0	39.0	8.28
DKR90 12 3/4	1/2"	DN 12	3/4"	32	51.0	39.0	12.23
DKR90 16 1/2	5/8"	DN 16	1/2"	27	54.0	49.0	11.78
DKR90 16 5/8	5/8"	DN 16	5/8"	28	54.0	49.0	7.80
DKR90 16 3/4	5/8"	DN 16	3/4"	32	56.0	49.0	9.95
DKR90 20 1/2	3/4"	DN 20	1/2"	27	56.0	53.5	29.13
DKR90 20 3/4	3/4"	DN 20	3/4"	32	59.0	53.5	9.48
DKR90 20 1	3/4"	DN 20	1"	38	65.0	53.5	19.25
DKR90 25 1	1"	DN 25	1"	38	72.0	73.0	15.75
DKR90 25 1.1/4	1"	DN 25	1.1/4"	50	80.0	73.0	40.18
DKR90 32 1.1/4	1.1/4"	DN 32	1.1/4"	50	93.0	89.0	35.40
DKR90 32 1.1/2	1.1/4"	DN 32	1.1/2"	55	98.5	89.0	56.63
DKR90 40 1.1/2	1.1/2"	DN 40	1.1/2"	55	114.0	101.0	53.50
DKR90 50 2	2"	DN 50	2"	-	-	-	86.10

Prețurile NU conțin TVA