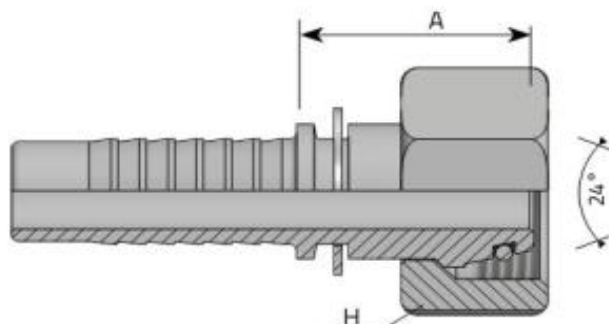


Armătură filet metric - DKOS

DIN 3865
con 24 de grade
serie grea



Cod	Inch	Diametru interior furtun	Filet	D	hex H	A	Preț EUR
DKOS 14*1.5/05	3/16"	DN 05	14 x 1.5	6	19	25.5	2.93
DKOS 16*1.5/05	3/16"	DN 05	16 x 1.5	8	19	25.5	3.55
DKOS 14*1.5/06	1/4"	DN 06	14 x 1.5	6	17	25.5	3.10
DKOS 16*1.5/06	1/4"	DN 06	16 x 1.5	8	19	26.0	2.45
DKOS 18*1.5/06	1/4"	DN 06	18 x 1.5	10	22	26.0	2.58
DKOS 20*1.5/06	1/4"	DN 06	20 x 1.5	12	24	26.0	3.15
DKOS 16*1.5/08	5/16"	DN 08	16 x 1.5	-	-	-	3.90
DKOS 18*1.5/08	5/16"	DN 08	18 x 1.5	10	22	26.5	2.43
DKOS 20*1.5/08	5/16"	DN 08	20 x 1.5	12	24	26.0	3.08
DKOS 18*1.5/10	3/8"	DN 10	18 x 1.5	10	22	26.5	3.03
DKOS 20*1.5/10	3/8"	DN 10	20 x 1.5	12	24	26.5	2.38
DKOS 22*1.5/10	3/8"	DN 10	22 x 1.5	14	27	27.0	3.68
DKOS 24*1.5/10	3/8"	DN 10	24 x 1.5	-	-	-	7.15
DKOS 20*1.5/12	1/2"	DN 12	20 x 1.5	-	-	-	3.30
DKOS 22*1.5/12	1/2"	DN 12	22 x 1.5	14	27	27.5	4.33
DKOS 24*1.5/12	1/2"	DN 12	24 x 1.5	16	30	32.0	3.48
DKOS 30*2/12	1/2"	DN 12	30 x 2	-	-	-	13.75
DKOS 30*2/16	5/8"	DN 16	30 x 2	20	36	37.0	5.13
DKOS 30*2/20	3/4"	DN 20	30 x 2	20	36	37.5	6.25
DKOS 36*2/20	3/4"	DN 20	36 x 2	25	46	38.5	8.93
DKOS 36*2/25	1"	DN 25	36 x 2	25	46	39.5	12.40
DKOS 42*2/25	1"	DN 25	42 x 2	30	50	40.5	12.98
DKOS 52*2/25	1"	DN 25	52 x 2	-	-	-	40.48
DKOS 42*2/32	1.1/4"	DN 32	42 x 2	30	50	41.5	33.53
DKOS 52*2/32	1.1/4"	DN 32	52 x 2	38	60	47.0	24.48
DKOS 52*2/40	1.1/2"	DN 40	52 x 2	38	60	47.0	51.33

Prețurile NU conțin TVA