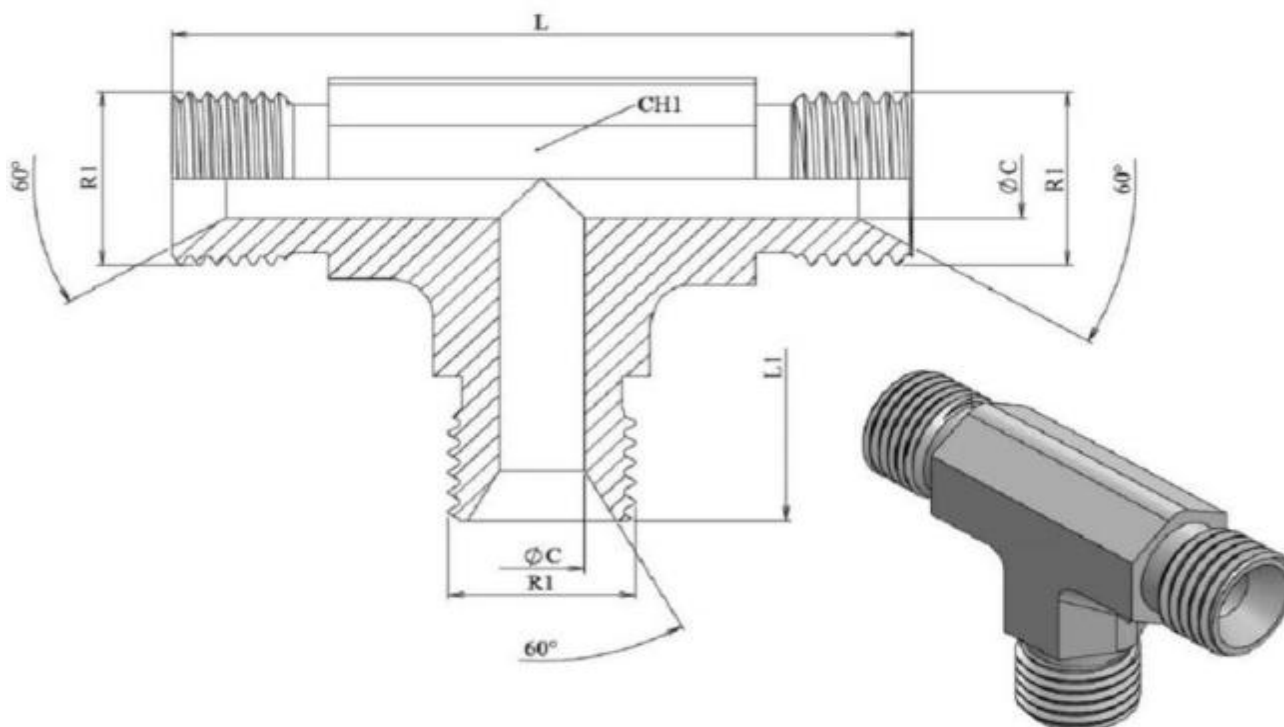


**Adaptor BSP T - BSPT-FE**  
filet exterior  
con 60 de grade



Cod	R1 (filet exterior)	R2=R1 (filet exterior)	R3=R1 (filet exterior)	L	L1	CH1	Preț EUR
BSPT-FE 1/8	1/8"	1/8"	1/8"	41.5	20	10	3.50
BSPT-FE 1/4	1/4"	1/4"	1/4"	52	26	14	3.62
BSPT-FE 3/8	3/8"	3/8"	3/8"	60	30	17	4.32
BSPT-FE 1/2	1/2"	1/2"	1/2"	70	35	22	5.91
BSPT-FE 3/4	3/4"	3/4"	3/4"	84	42	27	8.54
BSPT-FE 1	1"	1"	1"	94	47	36	16.04
BSPT-FE 1.1/4	1.1/4"	1.1/4"	1.1/4"	104	54	46	44.47
BSPT-FE 1.1/2	1.1/2"	1.1/2"	1.1/2"	120	60	50	72.75
BSPT-FE 2	2"	2"	2"	149.5	75.5	64	155.12

Prețurile NU conțin TVA