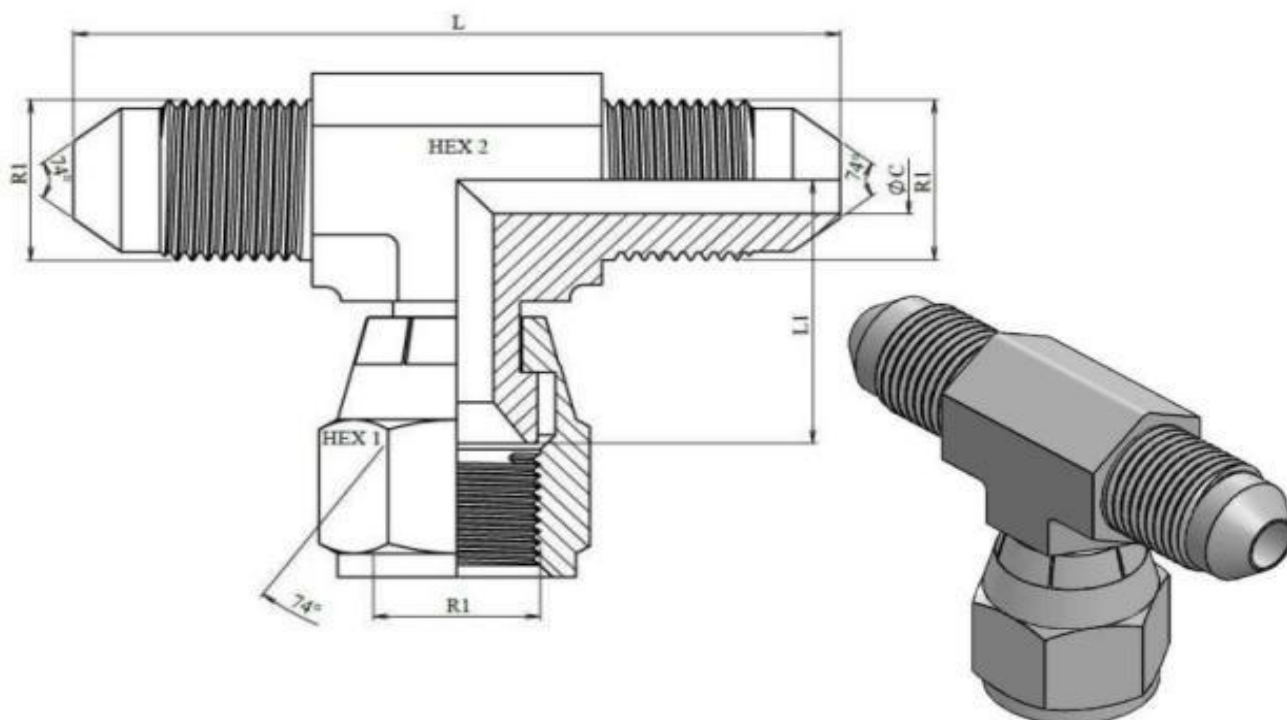


**Adaptor UNF T, olandeză mijloc - UNFT-FIOM**  
filet exterior / filet interior, cu olandeză / filet exterior  
con 74 de grade



Cod	R1 (filet exterior)	R2=R1 (filet exterior)	R3=R1 (filet interior)	L	L1	HEX1	HEX2	Preț EUR
UNFT-FIOM 7/16	7/16"	7/16"	7/16"	45	16.7	14	12	4.81
UNFT-FIOM 1/2	1/2"	1/2"	1/2"	48	17.4	17	14	6.31
UNFT-FIOM 9/16	9/16"	9/16"	9/16"	54	22.8	19	14	5.65
UNFT-FIOM 3/4	3/4"	3/4"	3/4"	64	25	24	19	8.72
UNFT-FIOM 7/8	7/8"	7/8"	7/8"	74	28.4	27	22	12.10
UNFT-FIOM 1.1/16	1.1/16"	1.1/16"	1.1/16"	84	33	32	27	14.34
UNFT-FIOM 1.3/16	1.3/16"	1.3/16"	1.3/16"	-	-	36	33	27.00
UNFT-FIOM 1.5/16	1.5/16"	1.5/16"	1.5/16"	96	39	41	36	29.49
UNFT-FIOM 1.5/8	1.5/8"	1.5/8"	1.5/8"	105	47	50	46	69.84
UNFT-FIOM 1.7/8	1.7/8"	1.7/8"	1.7/8"	118	49.5	55	50	110.91

Prețurile NU conțin TVA