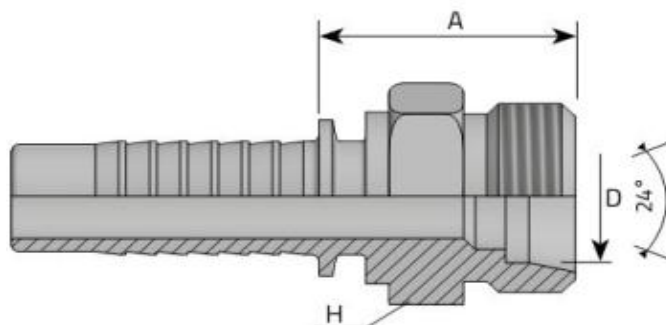


Armătură filet metric exterior - CES



DIN 3853
con 24 de grade
serie grea

Cod	Inch	Diametru interior furtun	Filet	D	hex H	A	Preț EUR
CES 14*1.5/06	1/4"	DN 06	14 x 1.5	6	15	24.0	2.88
CES 16*1.5/06	1/4"	DN 06	16 x 1.5	8	17	25.0	2.78
CES 18*1.5/06	1/4"	DN 06	18 x 1.5	10	19	25.0	2.63
CES 18*1.5/08	5/16"	DN 08	18 x 1.5	10	19	25.0	3.33
CES 20*1.5/08	5/16"	DN 08	20 x 1.5	12	22	26.5	2.50
CES 18*1.5/10	3/8"	DN 10	18 x 1.5	10	19	26.0	3.10
CES 20*1.5/10	3/8"	DN 10	20 x 1.5	12	22	27.0	3.13
CES 22*1.5/10	3/8"	DN 10	22 x 1.5	14	24	29.0	2.78
CES 24*1.5/12	1/2"	DN 12	24 x 1.5	16	27	31.0	3.35
CES 30*2/16	5/8"	DN 16	30 x 2	20	32	33.0	5.40
CES 30*2/20	3/4"	DN 20	30 x 2	20	32	34.0	5.48
CES 36*2/20	3/4"	DN 20	36 x 2	25	38	36.0	8.48
CES 36*2/25	1"	DN 25	36 x 2	25	38	38.5	9.10
CES 42*2/25	1"	DN 25	42 x 2	30	46	42.0	13.38
CES 42*2/32	1.1/4"	DN 32	42 x 2	30	46	42.0	24.93
CES 52*2/32	1.1/4"	DN 32	52 x 2	38	55	46.0	23.48
CES 52*2/40	1.1/2"	DN 40	52 x 2	38	55	46.0	37.20

Prețurile NU conțin TVA