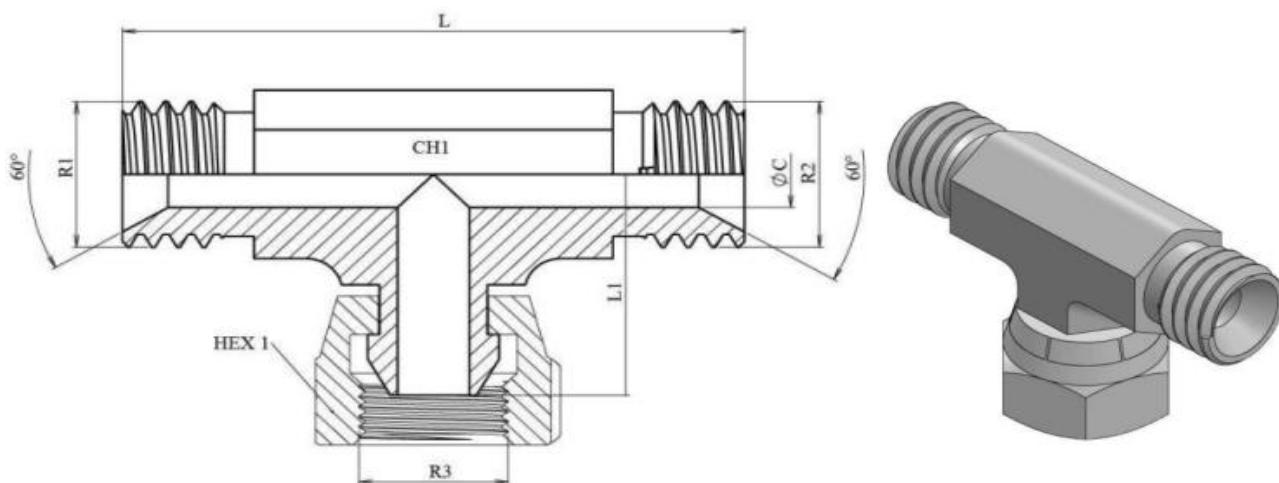


Adaptor BSP T, olandeză mijloc - BSPT-FIOM
filet exterior / filet interior, cu olandeză / filet exterior
con 60 de grade



Cod	R1 (filet exterior)	R2 (filet exterior)	R3 (filet interior)	L	L1	HEX1	CH1	Preț EUR
BSPT-FIOM 1/8	1/8"	1/8"	1/8"	45	22.5	14	11	4.32
BSPT-FIOM 1/4	1/4"	1/4"	1/4"	54	24	19	14	4.18
BSPT-FIOM 3/8	3/8"	3/8"	3/8"	60	30	22	17	5.62
BSPT-FIOM 1/2	1/2"	1/2"	1/2"	70	35	27	22	7.41
BSPT-FIOM 3/4	3/4"	3/4"	3/4"	86	38	32	27	12.37
BSPT-FIOM 1	1"	1"	1"	94	49	41	36	20.31
BSPT-FIOM 1.1/4	1.1/4"	1.1/4"	1.1/4"	104	54	50	46	33.07
BSPT-FIOM 1.1/2	1.1/2"	1.1/2"	1.1/2"	120	58	55	50	86.65
BSPT-FIOM 2	2"	2"	2"	149.5	60	70	64	194.66

Prețurile NU conțin TVA