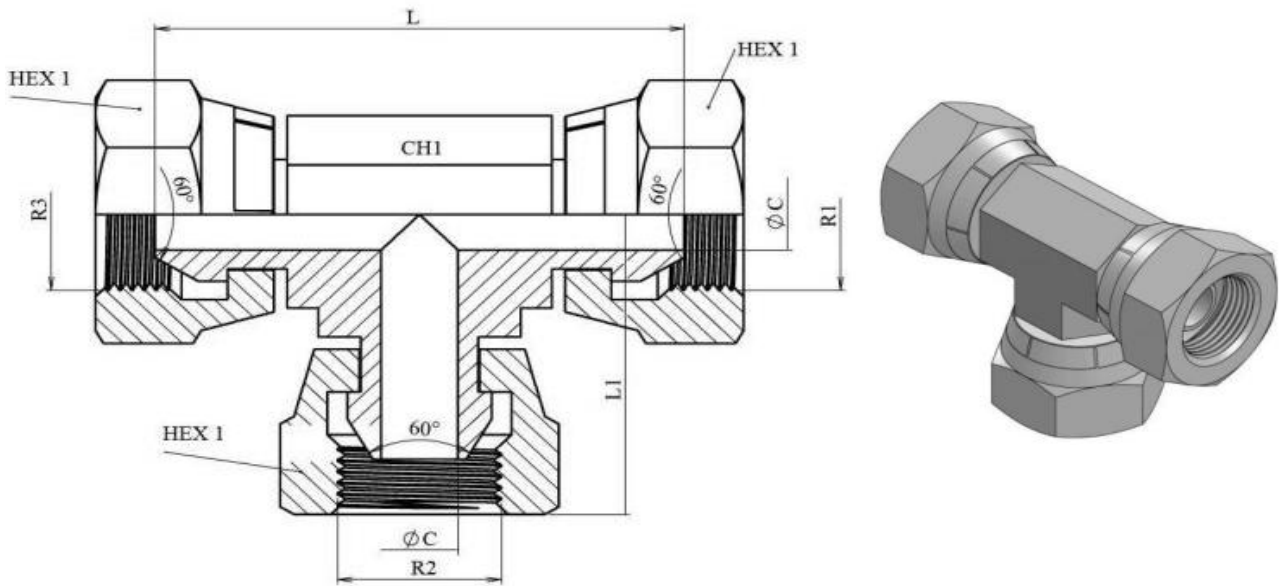


**Adaptor BSP T cu olandeze - BSPT-FIO**  
filete interioare, cu olandeze  
con 60 de grade



Cod	R1 (filet interior)	R2 (filet interior)	R3 (filet interior)	L	L1	HEX1	CH1	Preț EUR
BSPT-FIO 1/8	1/8"	1/8"	1/8"	45	22.5	14	11	8.94
BSPT-FIO 1/4	1/4"	1/4"	1/4"	40	20	19	14	6.03
BSPT-FIO 3/8	3/8"	3/8"	3/8"	60	30	22	17	7.69
BSPT-FIO 1/2	1/2"	1/2"	1/2"	70	35	27	22	9.88
BSPT-FIO 3/4	3/4"	3/4"	3/4"	83	41.5	32	27	20.01
BSPT-FIO 1	1"	1"	1"	98	49	41	36	31.13
BSPT-FIO 1.1/4	1.1/4"	1.1/4"	1.1/4"	108	54	50	46	67.43

Prețurile NU conțin TVA